

### 6th Street

- The Town - Campus Gateway**
- Park Elements:**
- 6th Street - One-Way Street and Share the Road Designation
  - Street Tree Plantings
  - Patios with moveable tables and chairs
  - Adult Swings
  - Expanded Sidewalk with Pervious Pavers
  - Bollards - separating street and sidewalk
  - Stream Restoration and Access
  - Floodplain Expansion
  - Stormwater - day-lighting, collection, biofiltration and pre-treatment
  - Informal Seating - overlooking the stream
  - Crosswalks and Traffic Calming at all intersections
  - Park Lighting - new energy efficient and night-sky friendly lights
  - Nature Play area
  - Outdoor Classroom / Movie Night Accommodations
  - Riparian Buffer Plantings
  - Bucknell University Gateway
  - Student Patio
  - Bocce Courts
  - Wi-Fi Hot Spot
  - Outdoor Study Area / Shelters
  - Electric Car Charging Station
  - Bike Storage
  - Bike Rental
  - Emergency Call Box
  - Outdoor Classroom / Applied Research Area
  - Environmental Education / Interpretation
  - Flood Resilient Community Design

**Direct Pedestrian Connection to Downtown**

### Hufnagle Park

- Lewisburg Community Stage & Event Space**
- Park Elements:**
- Performance Stage w/ lighting, electric, improved acoustics
  - Amphitheater (capacity of 450)
  - Lawn Seating Area - accommodate an additional 50 to 100 attendees
  - Tot Playground
  - Gardens by Lewisburg Garden Club
  - Bus Stop
  - Parking Lot Traffic Calming
  - Walkways and Trail Connections
  - Seating Walls
  - Restrooms
  - Park Lighting - new energy efficient and night-sky friendly lights
  - Stream Restoration and Access
  - Floodplain Expansion
  - Nature Play area
  - Outdoor Classroom / Movie Night Accommodations
  - Stormwater Day-lighting
  - Treatments Wetlands
  - Riparian Buffers
  - Extension of the Buffalo Valley Rail Trail
  - Trail Head Kiosk for Buffalo Valley Rail Trail
  - Trail Lighting
  - Emergency Call Box
  - Environmental Education / Interpretation
  - Flood Resilient Community Design

### Kidsburg Park

- Lewisburg Adventure Play Park**
- Park Elements:**
- New and Enhanced Playground Equipment
  - Stream Restoration and Access
  - Floodplain Expansion
  - Nature Play area
  - Outdoor Classroom
  - Stormwater Day-lighting
  - Treehouse
  - Benches
  - Adult Swings
  - Picnic Tables and Shelters
  - Treatments Wetlands
  - Riparian Buffers
  - Planting the Downtown Grove
  - Extension of the Buffalo Valley Rail Trail
  - Direct Connections Between Town and Campus
  - Pedestrian Bridge
  - Park and Trail Lighting
  - Emergency Call Box
  - Environmental Education / Interpretation
  - Flood Resilient Community Design

### LEGEND

**Buffalo Valley Rail w/ Trail**

- Existing
- Proposed

**Crosswalk Paving**

**Existing Stream Channel**

**Stream & Floodplain**

**Existing Sewer & Street Lights**

**Proposed Trail / Accessible Sidewalk**

**Stormwater BMP**

**Riparian Habitat Plantings**

**Gateway Feature / Park Light**

**Adult Swings / Benches**

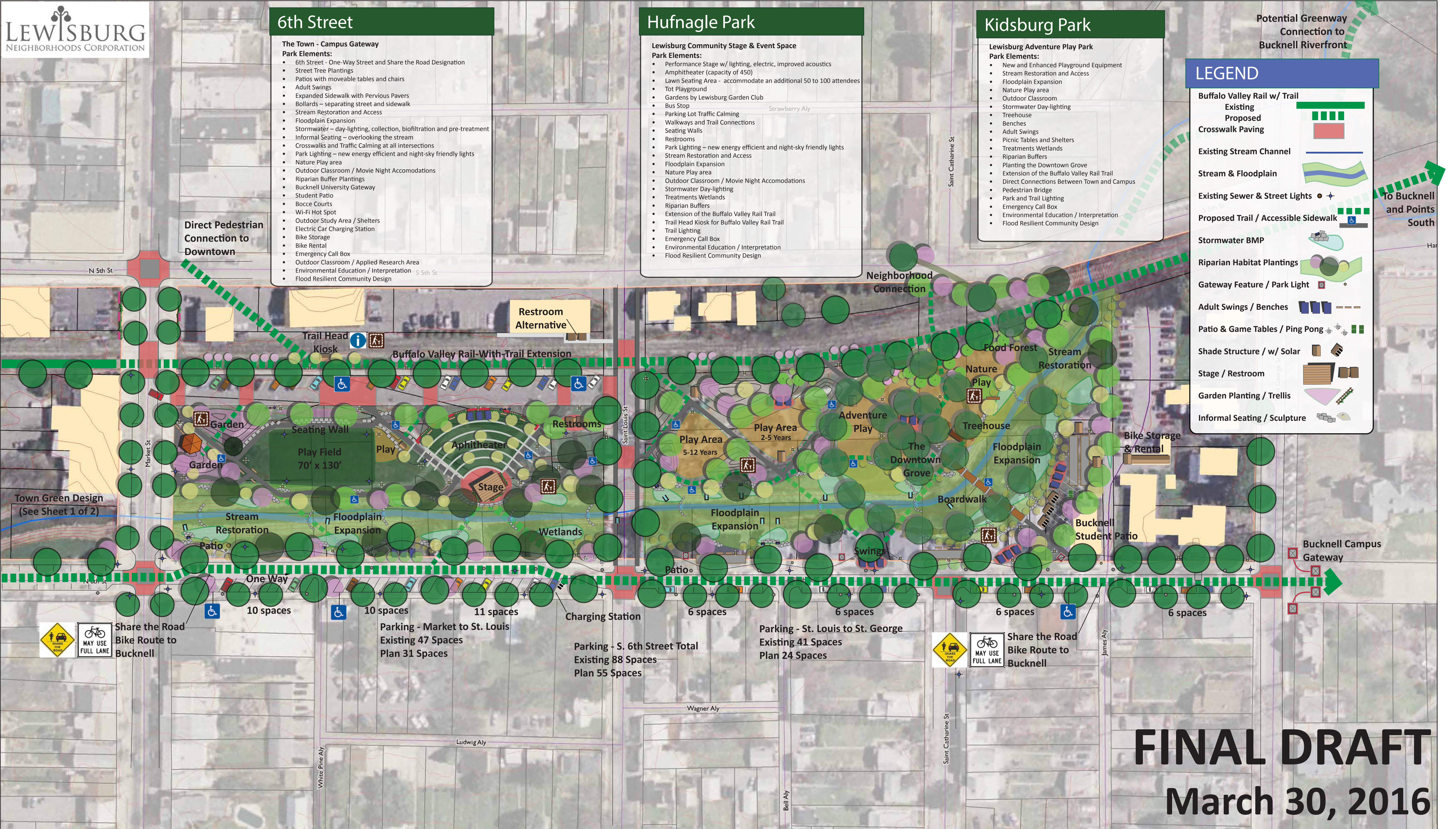
**Patio & Game Tables / Ping Pong**

**Shade Structure / w/ Solar**

**Stage / Restroom**

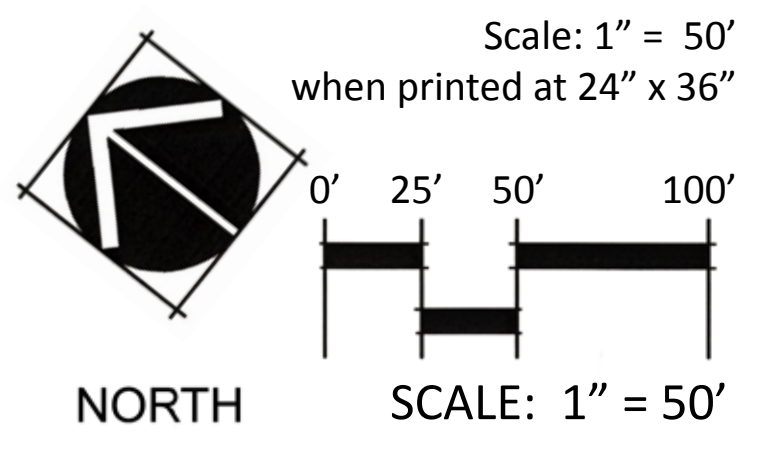
**Garden Planting / Trellis**

**Informal Seating / Sculpture**



**FINAL DRAFT**  
**March 30, 2016**

**Master Site Plan South Sheet 2 of 2**



**Project Partners:**

**LEWISBURG**  
NEIGHBORHOODS CORPORATION

**Consultant Team:**

**BSA / LA**  
Brian S. Auman / Landscape Architecture

**LandStudies**

Albertin Vernon Architecture  
Kim Wheeler, AICP  
Kathy Hannaford, GIS Consultant



**Borough of Lewisburg**  
**Bull Run Greenway**  
**Park Master Site Plan**